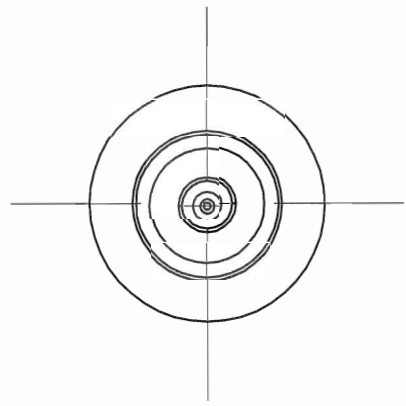
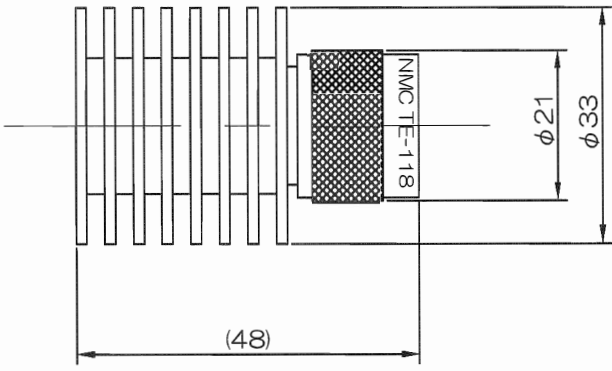


1	2	3	4
RevNo	Revision note	Date	Signature
			Checked



仕様

1.開口部	: N型プラグ
2.特性インピーダンス	: 50Ω
3.周波数	: DC~1.5GHz
4.VSWR	: 1.1以下
5.許容電力	: 5W
6.表示	: NMC TE-118

Item ref	Quantity	Title/Name, designation, material, dimension etc			Article No./Reference	
Designed by K.T	Checked by K.T	Approved by - date K.T Jul-31'02	Filename 02073101.dwg	Date Jul-31'02	Scale 2:1	
			title 終端抵抗器TE-118			
			DWG LPH14-0731-01	Rev. 0	Sheet No. A4	