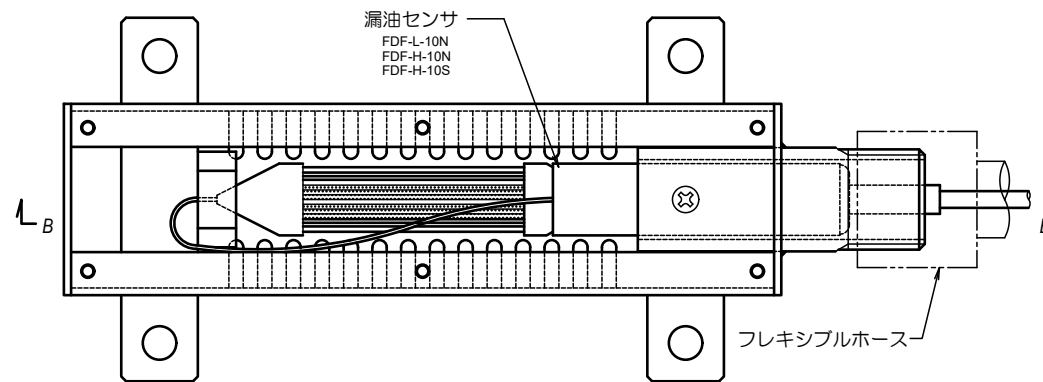
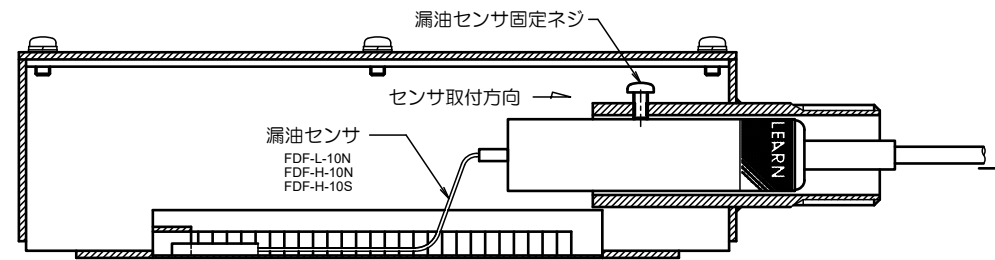


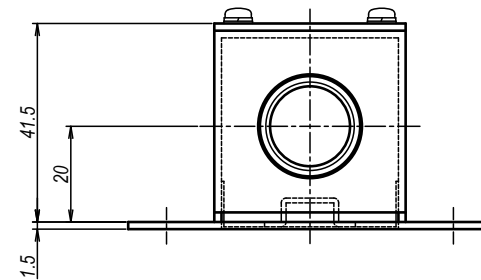
漏油センサ取付図




Section B - B



Vtew A - A



Itemref	Quantity	Description	Material	Article no./Reference		
Designed by	Checked by	Approved by - Date	File name	Date	Scale	
Y.Yoshii	T.Nakajima	K.Tsutsui 21-Dec-'16	16122101.dwg	21-Dec-'16	None	
			Title			
			センサ取付金具 (BA-5)			
			Drawing no.		Rev.	Sheet no.
			LPH281221-01		0	